

141-846H190 GT-180 (1991)
46" Mowing Deck Assembly

Page 2 of 21

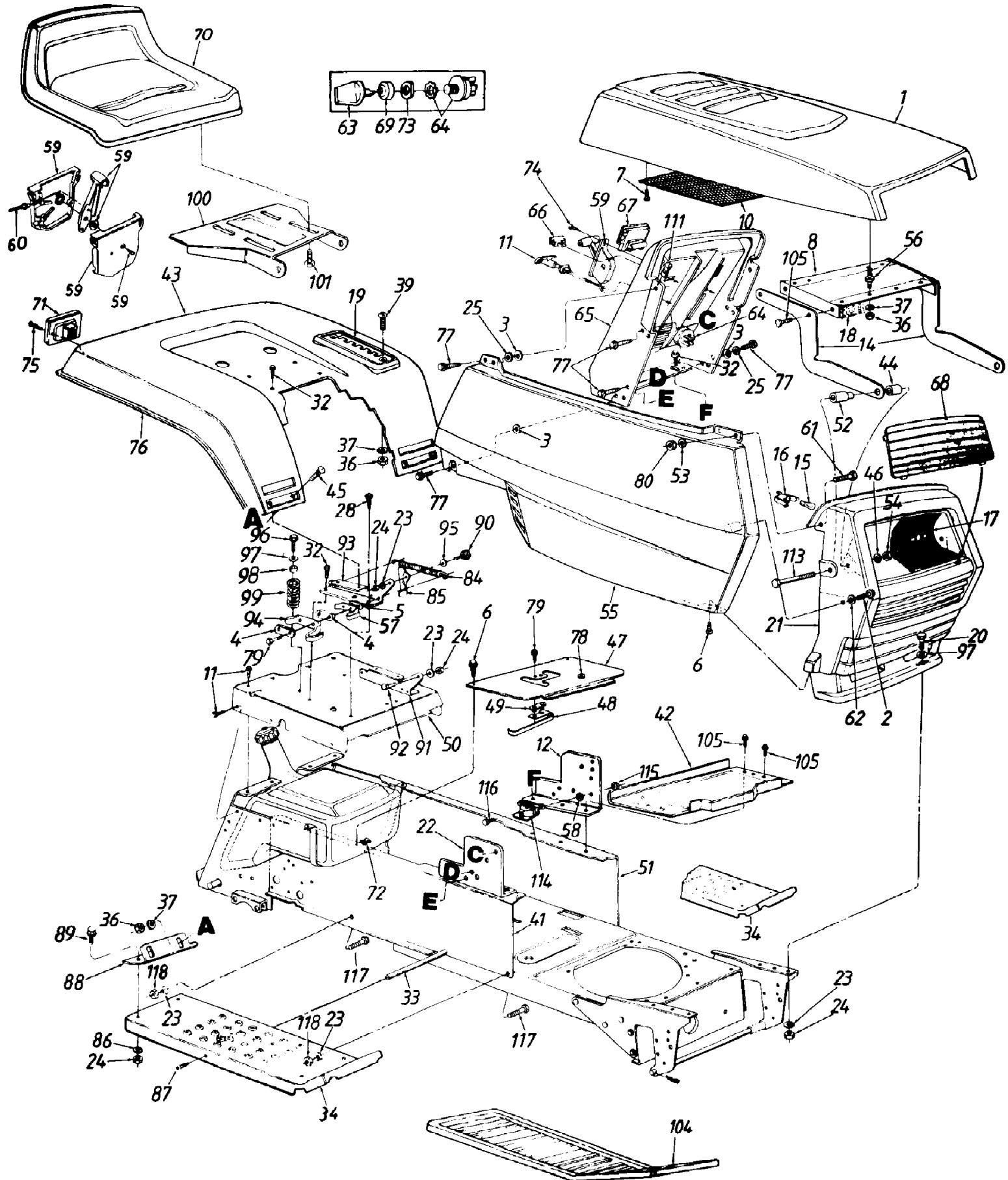
Ref #	Part Number	Qty	S/P/F	Description
1	17347	1	S	Deck Stabilizer
2	17264	1	S	Diagonal Brace
6	17218D	1	S	46" Deck Ass'y.
	17212	1		46" Deck Ass'y. Comp.
7	710-0258	1	S	Hex Bolt 1/4-20 x .62" Lg.
8	711-0792	1	S	Hinge Pin
9	712-0298	1	S	Hex Jam Nut 1/4-20 Thd.
10		1		UNKNOWN
12	736-0270	1	/P	Bell-Wash. 1/4" I.D.
13	738-0392	1		Deck Connecting Rod
15	710-0604	1	S	Hex TT-Tap Scr. 5/16-18 x .62"
16	17261	1		Idler Mtg. Brkt.
17	710-0888	1	/P	Hex Bolt 5/16-24 x 1" Lg. (Spec.)
18	710-0157	1	/P	Hex Bolt 5/16-24 x .75" Lg.
19	712-0123	1	/P	Hex Nut 5/16-24 Thd.
20	736-0119	1	S	L-Wash. 5/16" I.D.
21	736-0242	1	/P	Bell-Wash. 5/16" I.D.
22	717-0912	1	S	Spindle Ass'y. (R.H. & Center)
23	717-0913	1	S	Spindle Ass'y. (L.H.)
26	710-0888	1	/P	Hex Bolt 5/16-24 x 1.0" Lg. (Spec.)
27	710-0877	1	S	Hex Cl-Bolt 3/8-24 x .88" Lg.
28	712-0123	1	/P	Hex Nut 5/16-24 Thd.
29	736-0119	1	S	L-Wash. 5/16" I.D.
30	736-0217	1	S	L-Wash. 3/8" I.D.-H.D.
31	742-0486	1	S	High Lift Blade 14.88" Lg.
32	742-0487	2		High Lift Blade 16.28" Lg.
33	748-0300	1		Blade Adapter
35	17116	1	S/F	Deck Brake Brkt. Ass y.
36	17213	1	S	Idler Bracket
37	17258	1	S	Belt Cover Brkt.-R.H.
38	17260	1	S	Belt Keeper Bracket
39	710-0152	1	S	Hex Bolt 3/8-24 x 1.0" Lg.
40	710-0459	1	S	Hex Bolt 3/8-24 x 1.5" Lg.
41	710-0559	1	F	Hex Bolt 1/4-28 x 1.75" Lg.
42	710-0599	1	/P	Hex Wash. Hd. Tap-Scr. 1/4-20 x .5" Lg.
43	710-0672	1	/P/F	Hex Bolt 5/16-24 x 1.25" Lg. (Grade 5)
44	710-0698	1	/P	Hex Bolt 1/4-28 x 1.5" Lg.
46	711-0747	1	S	Belt Guard Pin 1/4" Dia.
47	712-0117	1	S/F	Hex Cent. L-Nut 1/4-28 Thd.
48	712-0123	1	/P/F	Hex Nut 5/16-24 Thd
49	712-0138	1	S/F	Hex Nut 1/4-28 Thd.
50	712-0241	1	/P	Hex Nut 3/8-24 Thd.
51	712-0287	1	S	Hex Nut 1/4-20 Thd. *
52	712-0318	1	/P	Hex Jam Nut 5/8-18 Thd.
53	727-0426	1	F	Brake Cable Ass y.
	727-0445	1	S/F	Brake Cable Ass'y. (Style 9)
54	732-0594A	1	S	Extension Spring 6.17" Lg.
55	732-0429A	1	S/F	Extension Spring 3.97n Lg.
56	736-0105	1	/P	Bell-Wash. .38" I.D. x .88n O.D.
57	736-0331	1	/P	Bell-Wash. .39" I.D. x 1.13" O.D.
60	736-0317	1	/P	Bell-Wash. 618n I.D. x 1.25" O.D.
61	736-0329	1	S	L-Wash. 1/4n I.D.
62	736-0416			L-Wash. 1/4n I.D. x 3" O.D.

141-846H190 GT-180 (1991)
46" Mowing Deck Assembly

Page 3 of 21

Ref #	Part Number	Qty	S/P/F	Description
63	738-0347	1	S	Shld. Spacer .625" I.D.
64	748-0234	1	/P/F	Shld. Spacer
65	750-0214	1	F	Spacer.34" I.D.
66	750-0470	1	F	Spacer.326" I.D.
67	754-0349	1	S	V-Belt
68	754-0350	1	S	V-Belt
69	756-0365	1	S	FI-Idler w/Flanges 3.5" O.D.
70	756-0519	1	/P	Pulley 5.0n Dia.
71	756-0520	1		Pulley 5.0n Dia.
72	711-0701	1	S/F	Clevis Pin 1/4" Dia. x .53" Lg.
73	712-0798	1	/P	Hex Nut 3/8-16 Thd.
74	714-0104	1	S/F	Intern. Cotter Pin 5/16" Dia.
75	714-0145	1	S	Intern. Cotter Pin 3/8 Dia.
76	734-0973	1	/P	Deck Wheel 5" Dia.
77	734-3058B	1	S	Deck Wheel w/Insert 5n Dia.
78	736-0169	1	S	L-Wash. 3/8" I.D.
79	736-0192	1	S	FI-Wash. .531" I.D.
80	738-0533	1	S	Shoulder Bolt .498n Dia. x 1.64" Lg.
81	738-3056	1	S	Shoulder Bolt
82	710-0653	1	/P	Hex Wash. Hd. Tap-Scr. 1/4-20 x .38" Lg.
83	732-0602	1	S	Torsion Spring
84	703-1693	1	S	Hinge Mtg. Brkt.
85	726-0106	1	S	Push Nut
86	731-1032	1	S	Chute Ass'y. Comp. (Incl. Ref. 8, 83, 84, 85, 86)
87	750-0757	1	S	Spacer 5/8" I.D. x 7/8" O.D.

141-846H190 GT-180 (1991)
Body Assembly



141-846H190 GT-180 (1991)
Body Assembly

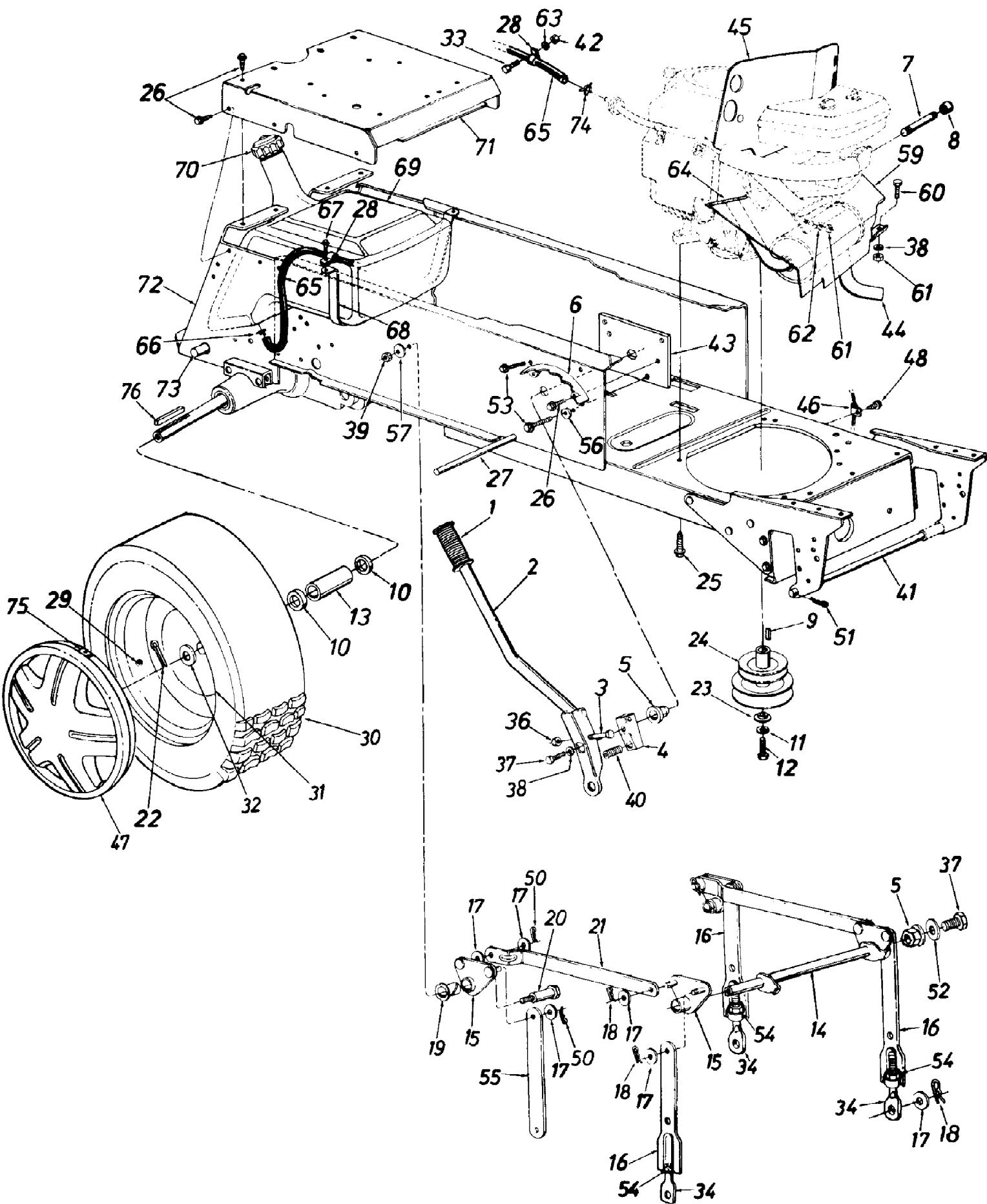
Page 5 of 21

Ref #	Part Number	Qty	S/P/F	Description
1	731-1036	1		Hood
2	710-0896	1	/P	Hex Wash. B-Tap Scr. 1/4 X .62" Lg.
3	726-0233	1	/P	Bolt Retainer 1/4" I.D.
4	726-0279	1		Insulator Plate
5	726-0278	1		Insulator Boss Plate
6	710-0351	1	/P	Truss Mach. B-Tap Scr. #10 x .5" Lg.
7	710-0200	1		Hex Wash Hd. AB-Tap Scr. #8 x .5" Lg.
8	16903	1	S	Hood Plate
10	723-0416	1		Screen
11	746-0614A	1	/P	Choke Control
12	17294	1		Dash Support Brkt.-L.H.
14	16902	1		Hood Hinge
15	725-0963	1	S	Lamp
16	725-1058A	1	S	Twist Lock-Lamp Socket
17	777-8516	1		Reflector-Headlight
18	722-0199	1		Foam Seal
19	731-1069	1	S	Speed Control Index Brkt.
20	710-0118	1	S	Hex Bolt 5/16-18 x .75" Lg.
21	731-1037	1		Grille
22	17293	1	S	Dash Support Bracket-R.H.
23	736-0119	1	S	L-Wash. 5/16" I.D.
24	712-0267	1	S	Hex Nut 5/16-18 Thd.
25	736-0176	1	S	FI-Wash. 1/4" I.D. x .93" O.D.
28		1		UNKNOWN
32	710-0726	1	/P	Hex Wash. Hd. AB-Tap Scr. 5/16 x .75" Lg.
33	738-0435	1		Running Board Rod
34	16922	1		Running Board-R.H.
	16921	1		Running Board-L.H.
36	712-0287	1	S	Hex Nut 1/4-20 Thd.
37	736-0329	1	S	L-Wash. 1/4" I.D.
39	710-0946	1	/P	Truss Mach. Scr. 1/4-20 x .62"
41	17360	1		R.H. Side Frame
42	17635	1	S	Support Brkt.
43	17330	1		Rear Fender
44	750-0755	1		Spacer .33" I.D. x .625" O.D.
45	710-0167	1	/P	Carriage Bolt 1/4-20 x .50" Lg.
46	736-0278	1		FI-Wash. .328" I.D. x .68" O.D.
47	17401	1		Transmission Panel
48	725-0759	1	S	Reverse Safety Switch
49	726-0222	1	S	Insulator Nut Plate
50	16848B	1	S	Seat Plate
51	17361A	1		L.H. Side Frame
52	750-0754	1		Shld. Spacer.33" I.D.
53	736-0142	1	S	FI-Wash. .281" I.D. x .5n O.D.
54	712-0158	1	S	Hex Cent. L-Nut 5/16-18 Thd.
55	17448	1		Side Cover-R.H.
	17447	1		Side Cover-L.H. (Not Shown)
56	710-1034	1		Double Ended Stud 1/4-20 Thd.
57	725-1439	1		Safety Switch (Seat)
58	736-0222	1	S	Ext. L-Wash. 114" I.D.
59	831-0823A	1	/P	Throttle Control Box Ass'y.
60	746-0634	1	S	Throttle Control Wire 35" Lg.
61	710-0258	1		Truss Mach. Scr. 1/4-20 x .62" Lg.

141-846H190 GT-180 (1991)
Body Assembly

Page 6 of 21

Ref #	Part Number	Qty	S/P/F	Description
62	736-0173	1	/P	FI-Wash. .281" I.D. x .73" O.D.
63	725-1341B	1	/P	Ignition Key
64	725-0267	1	S	Ignition Switch
65	731-0957	1		Dash Panel
66	725-0634	1	S	Light Switch
67	725-0925	1	S	Ammeter
68	731-1038	1	S	Lens
69	725-1347	1	/P	Ignition Switch Cap
70	757-0351	1		Seat Ass'y.
71	725-3018	1		Taillight Ass'y.
72	726-0139	1	/P	Speed Nut #10Z
73	725-1346	1	S	Ignition Switch Nut
74	710-0779A	1	/P	Truss Mach. AB-Tap Scr. #10 x .5" Lg.
75	710-0936	1		Truss Hd. AB-Tap Scr. #6 x .62" Lg.
76	731-0511	1	/P	Trim Strip-81n
77	710-0642	1	/P	Hex Wash. Hd. Tap Scr. 1/4 x .75n Lg.
78	731-0405	1		Snap Bushing
79	710-0227	1	/P	Hex Wash. Hd. AB-Tap Scr. #8 x .50n Lg.
80	712-0291	1	S	Hex L-Nut 1/4-20 Thd.
84	732-0581	1	S	Ext. Spring 5.31" Lg.
85	17239A	1	S	Seat Lift Brkt.
86	736-0242	1	/P	Bell-Wash. .345" I.D. x .88" O.D.
87	710-1012	1	/P	Rib Neck Bolt 5/16-18 x .75"
88	17406	1	S	Fender Bracket-R.H.
	17407	1	S	Fender Bracket-L.H.
89	710-0376	1	/P	Hex Bolt 5/16-18 x 1.0" Lg.
90	738-0296	1	S	Shld. Bolt .437n Dia. x .268"
91	17701	1	S	Seat Pivot Brkt. Support-L.H.
92	738-0155	1	S	Shld. Bolt .437n Dia. x .162"
93	17702	1	S	Seat Pivot Brkt. Support-R.H.
94	725-1303	1	S	Spring Switch
95	736-0141	1	S	Spr.-Wash. .445" I.D.
96	710-0602	1	/P	Hex Wash. Hd. Tap Scr. 5/16-18 x 1" Lg.
97	736-0159	1	S	FI-Wash. .344" I.D.
98	722-0160	1		Bushing
99	732-0588	1		Compression Spring
100	15607D	1	S	Seat Pivot Bracket
101	710-0623	1	/P	Hex Tap Scr. 3/8-16 x .75"
104	731-1051	1		Foot Pad
105	710-0599	1	/P	Hex Tap Scr. 1/4-20 x .5" Lg.
111	712-0185	1		Speed Nut 1/4-20 Thd.
113	710-0176	1	/P	Hex Bolt 5/16-18 x 2.75"
114	725-1426	1	S	Solenoid
115	712-0271	1	/P	Hex Sems Nut 1/4-20 Thd.
116	710-0289	1	S	Hex Bolt 1/4-20 x .5n Lg.
117	710-1012	1	/P	Rib Neck Bolt 5/16-24 x .75n Lg.
118	712-0123	1	/P	Hex Nut 5/16-24 Thd.



141-846H190 GT-180 (1991)
Deck Lift Assembly

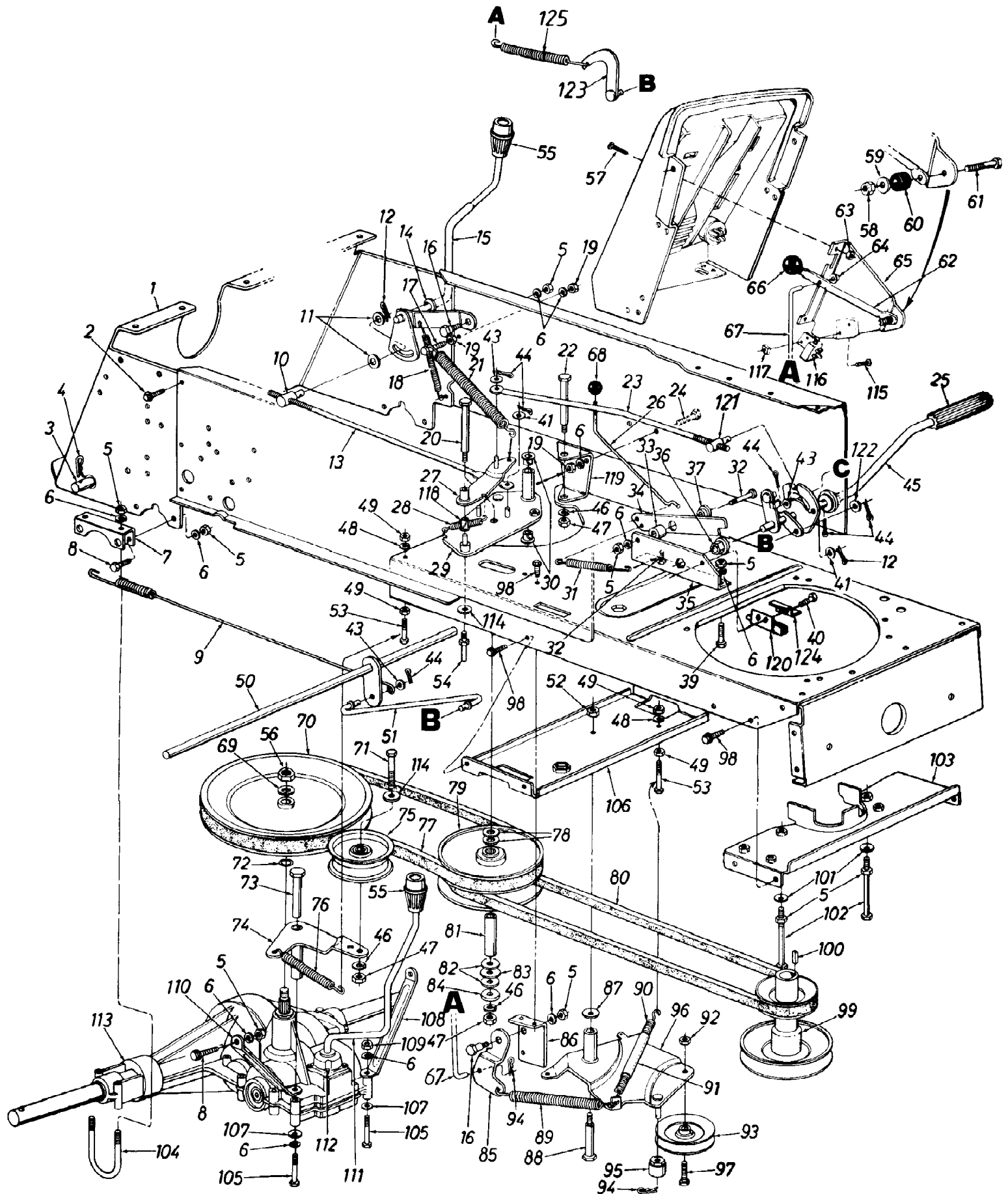
Page 8 of 21

Ref #	Part Number	Qty	S/P/F	Description
1	720-0233	1	S	Grip
2	17282	1	S	Lift Handle Ass'y.
3	710-0442	1	S	Hex Bolt 5/16-18 x 1.5" Lg.
4	748-0274A	1	/P	Lift Shaft Drive
5	741-0225	1	S	Plastic Hex Brg. 5/8n I.D.
6	14231	1	S	Index Brkt. Deck Lift
7	737-0164	1	S	Pipe Nipple 3/8-18 Npt.
8	737-0143	1	S	Pipe Cap 3/8-18 Npt.
9	714-0118	1	/P	Sq. Key 1/4" x 1/4" x 1.50" Lg.
10	736-0163	1	S	FI-Wash. 1.03" I.D. x 1.62" O.D.
11	736-0171	1	S	L-Wash. 7/16" I.D.
12	710-0757	1	/P	Hex Scr. 7/16-20 x 1.50" Lg.
13	750-0762	1		Spacer 1.0" I.D. x 1.25" O.D.
14	13889	1		Lift Shaft Ass'y.
15	13895	1		Lift Pivot Brkt. Ass'y.
16	17303	1	S	Adj. Deck Lift Link
17	736-0192	1	S	FI-Wash. 1/2" I.D. x 1.00" O.D. x .090"
18	714-0101	1	S	Hairpin Cotter
19	741-0295	1	S	Nyliner 5/8" I.D. x .88" Lg.
20	738-0445	1	S	Shld. Bolt 5/8" Dia. x 96n Lg. 3/8-16
21	13790	1	S	Connecting Link
22	714-0142	1	/P	Cotter Pin 3/16" Dia. x 1.5" Lg.
23	736-0322	1	/P	Flat Wash. .44" I.D. x 1.25" O.D. x .17"
24	756-0531	1	S	Two-Step Engine Pulley
25	710-0502A	1	/P	Hex Wash. Hd. Scr. 3/8-16 x 1.25" Lg.
26	710-0726	1	/P	Hex Thd. Rolling Scr. 5/16-18 x.75" Lg.
27	738-0435	1		Running Board Rod
28	726-0272	1	/P	Clamp
29	734-0255	1	S	Air Valve
30	734-1005A	1	F	Rear Wheel Ass'y. Comp.
	734-0322	1	F	Tire Only
31	734-1015	1		Rear Wheel Rim Only
32	736-0345	1	S	Flat Washer
33	710-0258	1	S	Hex Bolt 1/4-20 x .62" Lg.
34	711-0817	1	S	Eye Bolt Adj. Link 1/2-13 Thd.
36	712-0158	1	S	Hex Cent. L-Nut 5/16-18 Thd.
37	710-0237	1	/P	Hex Scr. 5/16-24 x .62" Lg.
38	736-0119	1	S	L-Wash. 5/16" I.D.
39	712-0181	1	S	Hex Top L-Nut 3/8-16 Thd.
40	732-0369	1	S	Compression Spring
41	738-0777	1	S	Deck Connecting Rod
42	712-0287	1	S	Hex Nut 1/4-20 Thd.
43	14170	1	S	Index Brkt. Reinforcement Plate
44	751-0474	1		Muffler
45	17452	1		Heat Shield
46	726-0273	1		Mounting Clamp
47	734-1505	1		Hubcap
48	710-0599	1	/P	Hex Wash. Hd. TT-Tap Scr. 1/4-20 x ,5n Lg .
50	714-0111	1	S	Cotter Pin .09 Dia. x l.On Lg.
51	714-0149B	1	S	Int. Cotter Pin
52	736-0231	1	S	Flat Wash. ,34n I.D. x 1.12" O.D. x .125"
53	710-0600	1	/P	Hex Wash. Hd. AB-Tap Scr. 5/16-24 x ,5n Lg.
54	712-0206			Thd.

141-846H190 GT-180 (1991)
Deck Lift Assembly

Page 9 of 21

Ref #	Part Number	Qty	S/P/F	Description
55	14399	1	S	Deck Link
56	736-0264	1	S	FI-Wash. .344" I.D.
57	736-0219	1	S	Bell-Wash. .4" I.D. x 1.13" O.D.
59	16934	1		Front Heat Shield
60	710-0118	1	S	Hex Bolt 5/16-18 x .75n Lg.
61	712-0267	1	S	Hex Nut 5/16-18 Thd.
62	736-0170	1	S	L-Wash. 5/16" I.D. (Special)
63	736-0329	1	S	L-Wash. 1/4" I.D.
64	731-0511	1	/P	Trim Strip 10n Lg.
65	751-0535-50	1	S	Fuel Line 60n Lg.
66	726-0205	1	/P	Hose Clamp
67	710-0776	1	S	Hex AB-Tap Scr. 1/4 x .62" Lg.
68	17424	1		Fuel Tank Strap
69	751-0528B	1		Gas Tank
70	751-0531B	1	/P	Gas Gauge
71	16848B	1	S	Seat Plate
72	17343	1		Hitch Plate
73	738-0482	1		Hitch Rod
74		1		UNKNOWN
75	727-0425A	1	S	Spring Clip
76	714-0120	1		Sq. Key 1/4" x 3" Lg.



141-846H190 GT-180 (1991)
Drive Mounting Assembly

Page 11 of 21

Ref #	Part Number	Qty	S/P/F	Description
1	17343	1		Hitch Plate
2	710-0726	1	/P	Hex AB-Tap Scr. 5/16" x .75"
3	738-0482	1		Hitch Rod
4	714-0147	1		Hitch Pin Clip
5	712-0267	1	S	Hex Nut 5/16-18 Thd.
6	736-0119	1	S	L-Wash. 5/16" I.D.
7	17340	1		Transaxle Bracket
8	710-3008	1	/P	Hex Bolt 5/16-18 x .75" Lg. (Gr. 5)
9	732-0601	1		Brake Extension Spring
10	711-0723A	1	S	Adjustment Ferrule 3/8-24 Thd.
11	736-0267	1	S	FI-Wash. .385" I.D. x .87"
12	714-0104	1	S	Internal Cotter Pin
13	747-0729	1		Speed Control Link (Rear)
14	736-0192	1	S	FI-Wash. .531" I.D. x .94"
15	16906	1	S	Speed Selector Lever Ass'y.
16	738-0155	1	S	Shld. Bolt .437" Dia. x .162"
17	710-0672	1	/P	Hex Bolt 5/16-24 x 1.25" Lg.
18	732-0429A	1	S	Extension Spring 3.9" Lg.
19	712-3057	1	S	Hex Nut 5/16-24 Thd. (Gr. 5)
20	710-0620	1	/P	Hex Bolt 3/8-24 x 4.5" Lg.
21	732-0603	1		Extension Spring 11" Lg.
22	738-0779	1	S	Shld. Bolt .625n Dia. x 3.5" Lg.
23	747-0726	1	S	Speed Control Link (Front)
24	710-0157	1	/P	Hex Bolt 5/16-24 x .75" Lg.
25	735-0196	1	S	Foot Pad
26	747-0722	1		Parking Brake Link
27	17914	1	S	Var. Speed Torque Brkt. Ass'y.
28	732-0568	1	S	Extension Spring 2,59n Lg.
29	17908	1		Pulley Plate Ass'y.
30	741-0591	1	S	Flanged Brg. .63" I.D.
31	732-0395	1	S	Extension Spring 2.51" Lg.
32	710-0528	1	/P	Hex Bolt 5/16-18 x 1.25" Lg.*
33	750-0214	1		Spacer .34" I.D. x .88"
34	16980	1		Brake Lockout Bracket
35	16924A	1	/P	Clutch Ass'y. Mtg. Bracket
36	741-0225	1	S	Hex Flange Brg. .634" I.D.
37	748-0234	1	/P	Shld. Spacer .5" Dia.
	736-0187	1	/P	FI-Wash. .64" I.D. x 1.24"
39	710-0118	1	S	Hex Bolt 5/16-18 x .75" Lg.
40	710-0651	1	/P	Hex Tap Scr. #10-32 x 5/8" Lg.
41	736-0185	1	S	FI-Wash. .406" I.D. x .75n O.D.
	714-0115	1	S	Cotter Pin 1/8" Dia.
43	736-0275	1	S	FI-Wash. .34" I.D. x .68" O.D.
44	714-0111	1	S	Cotter Pin 3/32" Dia.
45	17910	1		Foot Pedal Ass'y.
46	736-0169	1	S	L-Wash. 3/8" I.D.
47	712-0241	1	/P	Hex Nut 3/8-24 Thd.
48	736-0329	1	S	L-Wash. 1/4" I.D.
49	712-0287	1	S	Hex Nut 1/4-20 Thd.
50	17349	1		Brake Link Bracket
51	747-0724	1	S	Front Brake Rod Link
52	712-0375	1	/P	Hex Cent. L-Nut 3/8-16 Thd.
53	710-0501	1		Hex Bolt 5/16-24 x 2.0" Lg.

141-846H190 GT-180 (1991)
Drive Mounting Assembly

Page 12 of 21

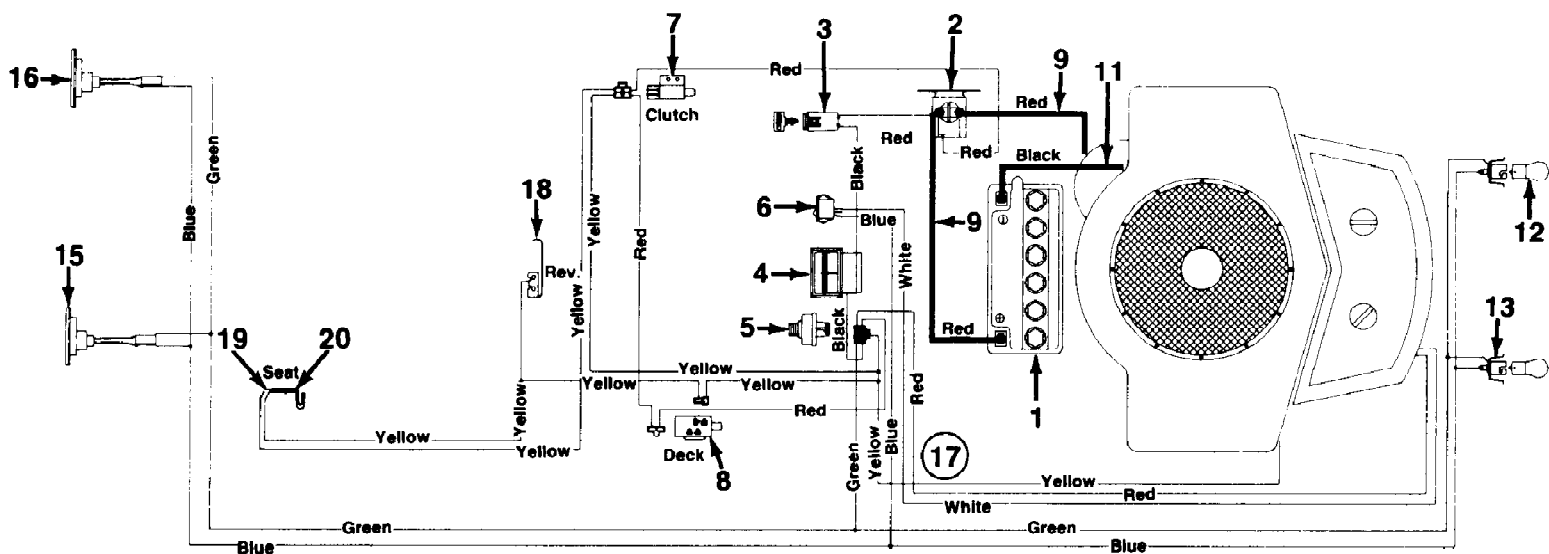
Ref #	Part Number	Qty	S/P/F	Description
54	711-0828	1		Belt Guard Pin
55	720-0218	1	/P	Shift Knob
56	712-3035	1	/P	Hex Jam Nut 9/16-18 Thd.
57	710-0286	1	/P	Truss Mach. Scr. 1/4-20 x .5" Lg.
58	712-0324	1	/P	Hex Ins. L-Nut 1/4-20 Thd.
59	736-0173	1	/P	Fl-Wash. .28" I.D. x .73" O.D.
60	735-0126	1	S	Rubber Washer .33" I.D.
61	710-0106	1	/P	Hex Bolt 1/4-20 x 1.25n Lg.
62	747-0513	1		Blade Clutch Lever
63	712-0271	1	/P	Hex Sems Nut 1/4-20 Thd.
64	726-0106	1	S	Push Nut 1/4" O.D. Rod
65	13950A	1		Deck Clutch Control Brkt.
66	720-0165	1	S	Knob-Blade Clutch
67	747-0708	1	S	Deck Control Rod
68	720-0166	1	/P	Ball Knob Brake
69	736-0427	1	S	Bell-Wash. 9/16" I.D. x 1.25"
70	756-0534	1		V-Pulley 91/4" O.D.
71	710-0539	1	/P	Hex Bolt 3/8-24 x 1.75n Lg.
72	732-0614	1		Wire Ring
73	738-0769	1		Shld. Bolt 5/16-24 Thd.
74	16904	1	S	Idler Brkt. Ass'y.
75	756-0542	1		Flat Idler 3.5" O.D.
76	732-0384	1	S	Extension Spring 6.12" Lg.
77	754-0362	1	S	V-Belt
78	736-0414	1	S	Teflon Washer 1.20" O.D.
79	717-0945	1	S	Variable Speed Pulley 5" Dia.
80	754-0358	1	S	V-Belt
81	738-0778	1		Pivot Bushing
82	736-0355	1	/P	Fl-Wash. .56" I.D. x 1.0" O.D.
83	741-0405	1	S	Thrust Brg. .56" I.D. x 1.25"
84	17485	1		Retainer Cup
85	13887	1	S	Deck Control Pivot Brkt.
86	13833	1	S	Parking Brake Mtg. Brkt.
87	736-0105	1	/P	Bell-Wash. .88" I.D. x .88" O.D.
88	738-0129	1		Shld. Bolt .498" Dia. x 2.05"
89	732-0478	1	S	Extension Spring 6.12" Lg.
90	732-0308	1	S	Extension Spring 5.37" Lg.
91	731-0483	1	S	Convuluted Conduit 4" Lg.
92	712-0214	1	S	Hex Cent. L-Nut 3/8-24 Thd.
93	756-0293A	1	S	V-Belt Idler
94	714-0104	1	S	Internal Cotter Pin
95	748-0278	1	S	Spacer
96	14076A	1	S	Idler Brkt. Deck Ass'y.
97	710-0459	1	S	Hex Bolt 3/8-24 x 1.5" Lg.
98	710-0599	1	/P	Hex TT-Tap Scr. 1/4-20 x .5"
99	756-0531	1	S	Engine Pulley
100	714-0118	1	/P	Sq. Key 1/4 x 1.5" Lg.
101	736-0242	1	/P	Bell-Wash. .345" I.D. x .88n
102	710-0833	1	/P	Hex Bolt 5/16-18 x 5.25" Lg.
103	17357	1	S	Belt Keeper Brkt. Ass'y.
104	711-0829	1		U-Bolt
105	710-0593	1		Hex Bolt 5/16-24 x 2.25" Lg.
106	16888	1		Support Brkt.

141-846H190 GT-180 (1991)
Drive Mounting Assembly

Page 13 of 21

Ref #	Part Number	Qty	S/P/F	Description
107	736-0264	1	S	FI-Wash. .344" I.D. x .62" O.D.
108	16979	1		Front Trans. Support Brkt.-L.H.
109	712-0123	1	/P	Hex Nut 5/16-24 Thd.*
110	16978	1		Front Trans. Support Brkt.-R.H.
111	717-0985	1		Shift Lever Ass'y. Complete
112	710-1048	1		Socket Hd. Cap Scr. #10 x 24
113	717-1150	1	S	2-Speed Transmission Comp.
114	736-0258	1	/P	FI-Wash. 818n I.D. x 1.0n O.D.
115	710-0473	1	/P	Truss Mach. Scr. #10-24 x .5"
116	725-0465A	1	S	Safety Switch
117	712-0121	1	S	Hex Nut #10-24 Thd.
118	741-0419	1		Nyliner Flanged Brg.
119	17180	1		Variable Speed Support Brkt.
120	725-3169A	1	S	Safety Switch (Clutch)
121	711-0832	1	S	Adjustment Ferrule 3/8-24 Thd.
122	736-0204	1	/P	FI-Wash. .344" I.D. x .62n O.D.
123	17912	1		Foot Pedal Brkt. Ass'y.
124	17962	1		Switch Plate
125	732-0698	1		Ext. Spring 5.2" Lg.

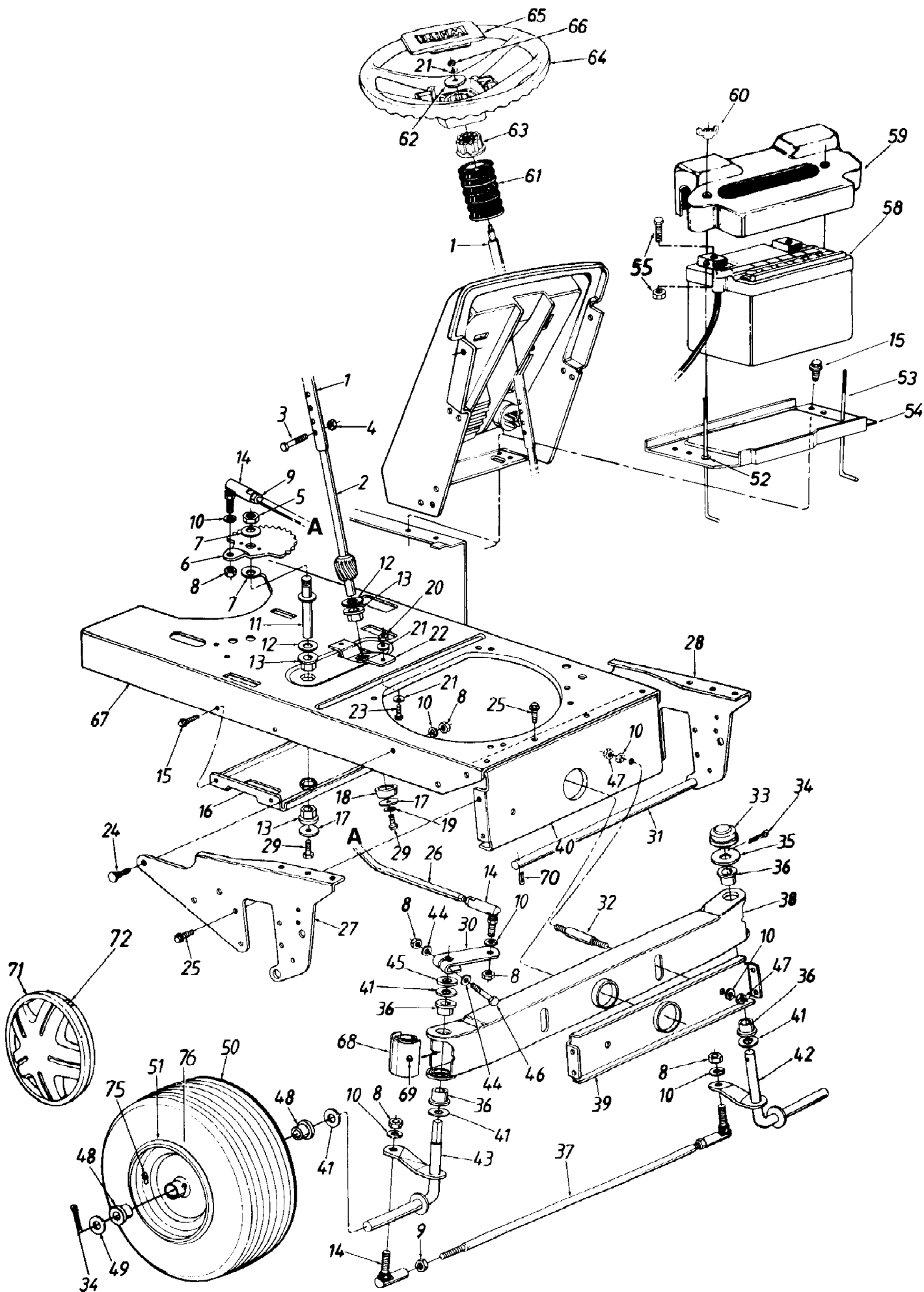
141-846H190 GT-180 (1991)
Electrical System



141-846H190 GT-180 (1991)
Electrical System

Page 15 of 21

Ref #	Part Number	Qty	S/P/F	Description
1	725-1430	1	S	Battery (275 Cold Crank Amps)
2	725-1426	1	S	Solenoid
3	725-1625	1		Fuse 7.5 AMP
4	725-0925	1	S	Ammeter
5	725-0267	1	S	Ignition Switch
6	725-0634	1	S	Light Switch
7	725-3169A	1	S	Safety Switch (Clutch)
8	725-0465A	1	S	Safety Switch (PTO)
9	725-0561	1	S	Electric Wire 14" Lg.
11	725-0996	1	S	Ground Wire 7.5" Lg.
12	725-0963	1	S	Lamp
13	725-1058A	1	S	Socket
	725-1380	1		Taillight Harness
15	725-3018	1		Taillight Ass'y.
16	725-3020	1	S	Taillight Bulb
17	629-0035	1		Wire Harness
18	725-0759	1	S	Spring Switch
19	725-1303	1	S	Safety Switch (Seat)
20	725-1439	1		Safety Switch (Seat)
	725-1539	1		Ground Wire



141-846H190 GT-180 (1991)
Steering Assembly

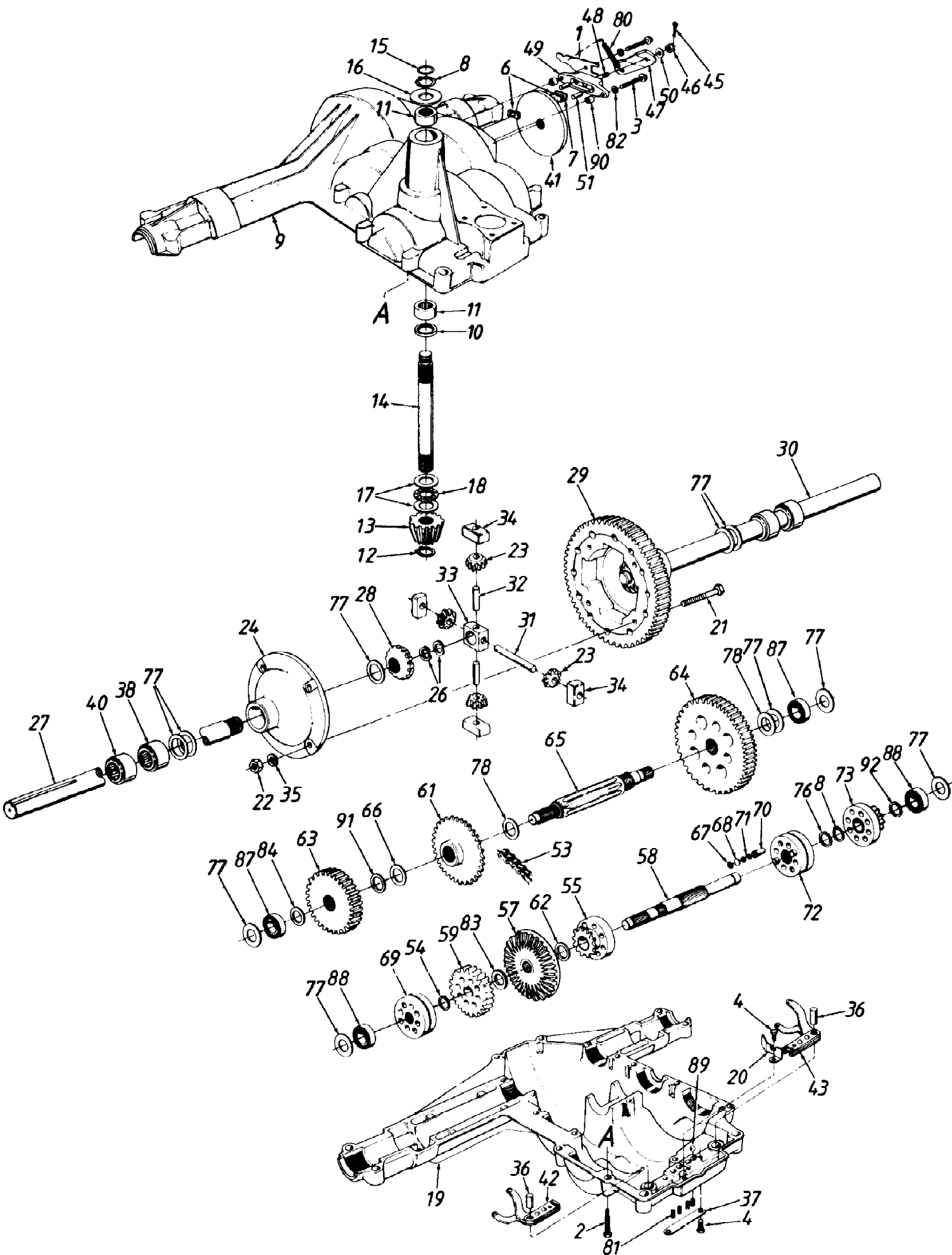
Page 17 of 21

Ref #	Part Number	Qty	S/P/F	Description
1	16512	1		Steering Column Ass'y.
2	738-0763	1	S	Lower Steering Shaft
3	710-0958	1	/P	Hex Bolt 1/4-20 x 1.31" Lg.
4	712-0324	1	/P	Hex L-Nut 1/4-20 Thd.
5	712-0337	1		Hex Nut 5/8-18 Thd.
6	717-0943A	1	S	Steering Gear Segment
7	736-0317	1	/P	Bell-Wash. 518" I.D. x 1.25n O.D.
8	712-0241	1	/P	Hex Nut 3/8-24 Thd.
9	712-0711	1	/P	Hex Jam Nut 3/8-24 Thd.
10	736-0169	1	S	L-Wash. 3/8" I.D.
11	738-0768	1		Steering Gear Segment Shaft
12	736-0187	1	/P	FI-Wash. .64" I.D. x 1.24" O.D.
13	748-0227	1	S	Hex Flange Brg. .63" I.D.
14	723-3018	1	S	Ball Joint Ass'y.
15	710-0599	1	/P	Hex Wash. Hd. TT-Tap Scr. 1/4-20 x .5" Lg.
16	16888	1	S	Deck Idler Support Brkt.
17	736-0343	1	/P	FI-Wash. .33" I.D. x 1.25" O.D.
18	750-0532	1	S	Spacer .985" I.D. x 1.25" O.D.
19	736-0119	1	S	L-Wash. 5/16" I.D.
20	712-0123	1	/P	Hex Nut 5/16-24 Thd.
21	736-0242	1	/P	Bell-Wash. .345" I.D. x .88" O.D.
22	16894	1	S	Bearing Retainer Brkt.
23	710-0157	1	/P	Hex Bolt 5/16-24 x .75" Lg.
24	710-0793	1		Ribbed Neck Bolt 3/8-24 x .8" Lg.
25	710-0604	1	S	Hex Wash. TT-Tap Scr. 5/16-18 x .62" Lg.
26	747-0579	1	S	Steering Drag Link
27	16896	1		Pivot Bar Side Plate-R.H.
28	16897	1		Pivot Bar Side Plate-L.H.
29	710-0538	1	/P	Hex Bolt 5/16-18 x .62" Lg.
30	16918	1	S	Steering Arm
31	738-0777	1	S	Deck Connecting Rod
32	738-0775	1		Pivot Bar Shld. Bolt 3/8-16 x 518" Lg.
33	731-0484A	1	S	Cap
34	714-0121	1	S	Cotter Pin 5/32" Dia.
35	736-0316	1	S	Flat Washer
36	741-0523	1	S	Flange Brg. .757" I.D.
37	747-0721	1		Tie Rod 20.25" Lg.
38	16843	1	S	Pivot Bar Assy.
39	16889	1	S	Pivot Bar Support Brkt.-Front
40	16890	1	S	Pivot Bar Support Brkt.-Rear
41	736-0188	1	/P	FI-Wash. .76" I.D. x 1.49n O.D.
42	738-0783	1		Front Axle Ass'y.-L.H.
43	738-0784	1		Front Axle Ass'y.-R.H.
44	736-0286	1	S	Bowed Washer
45	748-0160	1	S	Spacer .755" I.D. x 1.25" O.D.
46	710-0331	1	/P	Hex Bolt 3/8-24 x 2.25n Lg.
47	712-0798	1	/P	Hex Nut 3/8-16 Thd.
48	748-3007A	1	S	Bronze Flange Brg.
49	736-0316	1	S	FI-Wash. .71" I.D. x 1.5" O.D.
50	734-1677	1	F	Wheel Ass'y. Comp.
	734-0275	1	/P/F	Tire Only
51	734-1501A	1	S	Rim Only
52	726-0271			

141-846H190 GT-180 (1991)
Steering Assembly

Page 18 of 21

Ref #	Part Number	Qty	S/P/F	Description
53	711-0222	1	S	Battery Hold Down Rod
54	17635	1	S	Battery Plate
55		1		Comes w/ Battery (Replace w/Bolt 1/4-20 x 1/2" Lg. and nut)
	736-0329	1	S	L-Wash. 1/4" I.D.
58	725-1430	1	S	Battery (275 Cold Crank Amps)
59	731-1132	1		Battery Cover
60	712-0113	1	S	Wing Nut Plastic 1/4-20 Thd.
61	731-0954	1	S	Steering Bellow
62	736-0418	1	S	Flat Washer
63	717-0935	1		Steering Wheel Adapter
64	731-0971	1		Steering Wheel
65	731-1039	1		Steering Wheel Cap
66	712-0237	1	S	Hex L-Nut 5/16-24 Thd.
67	17359A	1	S	Lower Frame
68	731-1049	1		Pivot Bar End Cap
69	737-0146	1	S	Grease Fitting
70	714-0149B	1	S	Internal Cotter Pin
71	734-1504	1	S	Hub Cap
72	727-0425A	1	S	Spring Clip
75	734-0255	1	S	Air Valve
76	737-0280	1	S	Grease Fitting



141-846H190 GT-180 (1991)
Transaxle Assembly

Page 20 of 21

Ref #	Part Number	Qty	S/P/F	Description
1	17434	1		Brake Return Bracket
2	710-0809	1		Hex Bolt 1/4-20 x 1.25" Lg.
3	710-0886	1	S	Hex Bolt 1/4-20 x 1.5" Lg. (Gr. 5)
4	710-1011	1	S	Tap Scr. 1/4-20 x .38" Lg.
6	717-0678	1	S	Brake Puck
7	717-0682	1	S	Puck Plate
8	716-0171	1	S	Retainer Ring
9	717-1164	1		Upper Housing
10	721-0253	1		Oil Seal
11	741-0525	1	S	Needle Brg. 518" I.D. x 718" O.D.
12	716-0114	1	S	Snap Ring
13	717-1133	1	S	Input Pinion 15T
14	717-1134	1		Input Shaft
15	732-0614	1		Wire Ring
16	736-0335	1	S	Thrust Washer 518" I.D.
17	736-0419	1	S	Thrust Washer
18	741-0469	1		Thrust Bearing
19	717-1161	1		Lower Housing
20	717-1166	1		Shift Guide
21	710-0151	1	/P	Hex Bolt 3/8-24 x 2.0" Lg.
22	712-3054	1	/P	Hex L-Nut 3/8-24 Thd. (Gr. 5)
23	717-1120	1		Differential Gear 10T
24	717-1147	1		Differential Housing Cover Ass'y.
26	716-0172	1	S	Retainer Ring
27	717-1112	1		Axle R.H.
28	717-1119	1		Differential Gear 14T
29	717-1159	1		Differential Bull Gear 60T
30	717-1111	1		Axle L.H.
31	717-1173	1		Cross Shaft
32	717-1178	1		Cross Shaft-Special
33	717-1180	1		Differential Pinion Block
34	717-1190	1		Differential Thrust Block
35	736-0413	1	/P	Spr. Wash. .39" I.D. x .62n O.D.
36	717-1138	1		Shift Pin
37	717-1139	1		Spring Plate
38	741-1143	1	S	Axle Bearing Ass'y.
40	717-1144	1		Axle Bearing Ass'y.
41	717-1177	1	S	Brake Disc
42	717-1185	1		Shift Arm Ass'y.-R.H.
43	717-1186	1		Shift Arm Ass'y.-L.H.
45	714-0507	1	S	Cotter Pin 3/32" Dia.
46	712-0335	1	S	Castle Nut 5/16-24 Thd.
47	717-1132	1	S	Brake Actuating Arm
48	717-0796	1	/P	Sq. Hd. Bolt 5/16-24 Thd.
49	717-1179	1		Brake Yoke
50	736-0371	1	/P	FI-Wash. 11/32" I.D. x 718" O.D.
51	741-0787	1	S	Brake Actuating Pin
53	713-0326	1	S	#420 Chain 1/2 Pitch x 28 Links
54	716-0149	1		Retainer Ring
55	717-1141	1		Reverse Sprocket Ass'y.
57	717-1157	1	S	Bevel Gear 47T
58	717-1160	1	S	Drive Shaft
59	717-1174	1		Shift Arm Ass'y.

141-846H190 GT-180 (1991)
Transaxle Assembly

Page 21 of 21

Ref #	Part Number	Qty	S/P/F	Description
61	717-1182	1		Sprocket 22T
62	736-0421	1		FI-Wash. .81" I.D. x 1.18n O.D.
63	717-1155	1		Spur Gear 31T
64	717-1156	1		Spur Gear 45T
65	717-1158	1		Output Shaft 9T
66	717-1172	1		Spacer
67	716-0170	1		Internal Retainer Ring
68	717-1137	1		Plug .44" Dia.
69	717-1167	1		Forward Shift Collar
70	717-1175	1		Drive Pin
71	732-0590	1	S	Drive Spring
72	717-1168	1	S	Creeper Shift Collar
73	717-1193	1		Creeper Collar Plate Ass'y.
76	736-0353	1		FI-Wash. .65" I.D. x .97" O.D.
77		1		FI-Wash.
	736-0423	1		FI-Wash. 1" I.D. x 1.56" O.D. x .010" Thk.
	736-0431	1	S	FI-Wash. 1" I.D. x 1.56" O.D. x .015" Thk.
	736-0424	1	S	FI-Wash. 1" I.D. x 1.56" O.D. x .020" Thk.
	736-0420	1	S	FI-Wash. 1" I.D. x 1.56" O.D. x .040" Thk.
78	736-0424	1	S	FI-Wash. 1.0" I.D. x 1.56" O.D.
80	732-0545	1	S	Ext. Spring 1.14" Lg.
81	732-0598	1		Detent Spring
82	736-0329	1	S	L-Wash. 1/4" I.D.
83	736-0349	1	S	FI-Wash. 5/8" I.D. x 1.0" O.D.
84	736-0422	1		FI-Wash. .68" x 1.12n
87	741-0124	1	S	Ball Brg. .669" I.D.
88	741-0524	1	S	Ball Bearing
89	741-0862	1	/P	Ball Detent .25" Dia.
90	750-0555	1		Spacer .254" I.D. x .5" O.D.
91	736-0333	1		FI-Wash. .69" I.D. x 1.06" O.D.
92		1		FI-Wash.
	736-0349	1	S	FI-Wash. 5/8" I.D. x 1.0" O.D. x .020" Thk.
	736-0336	1	S	FI-Wash. 5/8" I.D. x 1.0" O.D. x .030" Thk.
	736-0337	1	S	FI-Wash. 5/8" I.D. x 1.0" O.D. x .040" Thk.